

EGRO ONE Pure Coffee with POWDER MODULE

High Volume Super Automatic Espresso Machine

ESPRESSO MACHINE SPECIFICATIONS:

The Egro ONE Pure Coffee is a high volume fully automatic espresso machine with a touchscreen user interface. It features a stainless steel 18-gram patented brew group with advanced sealing technology. This makes the brew group the most durable in its class, reduces maintenance needs, and lowers the cost of ownership. The ONE uses dual Ditting™ grinders with stainless steel burrs for quick and consistent grinding. Standard features include a powerful intelligent iSteam wand and a hot water outlet that can deliver different water temperatures per product. The ONE can easily deliver coffee and steam milk simultaneously and is designed to simplify your beverage workflow.



STANDARD FEATURES:

- Standard 5.7" full-color touchscreen graphical user interface enables up to 48 drink selections
- iSteam intelligent steam wand automatically froths and steams milk
- Americano bypass enables machine to deliver authentic Americanos into a single cup
- Lowest cost of ownership of any fully automatic
- Premium espresso brewing
- Centralized hot water
- USB port makes it simple to save drink parameters and facilitates software and programming updates
- Requires only 12" of counter space
- Stainless steel 18-gram patented brewing
- Dual grinders by Ditting™
- Made of stainless steel and ABS plastic
- Single component two-piece dispensing outlet for easy cleaning
- 2-year parts warranty

ACCESSORIES IN THE BOX:

- Plastic grounds bin container
- One-month supply of daily cleaning products
- User manual
- Foot extensions

OPTIONS:

Keypad User Interface: Simple 10-button keypad (16 products with shift option)

iSteam Plus: High performance intelligent steam wand. Designed to accommodate locations with high consumption of steamed milk

Self-Adjusting Grinder: Automatically adjusts the coffee grind size to compensate for environmental changes

Under Counter Grounds Chute: Chute that diverts ground coffee to an under the counter waste container

External Hot Water Outlet: Hot water delivered through a separate outlet to the right of the drink spout

Self-Service Package: Includes locks for hopper, grounds drawer, and fridge, as well as cup stopper pins for the drink tray

POWDER MODULE FEATURES:

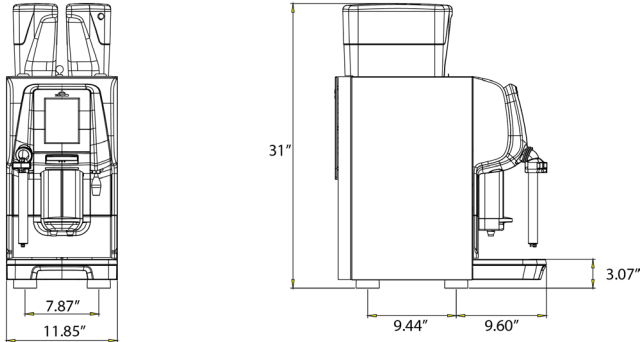
- Two 2.6 lbs powder hoppers
- Perfect for a variety of water soluble powders
- Requires only 6" of counter space

SPACE REQUIREMENTS:

- Allow 1.5" clearance on all sides of the machine.
- Allow space to fill bean hoppers from the top 4" minimum 12" preferred
- Allow 24" x 5" for in-line filter. Filter can be mounted behind the machine or under the counter.

EGRO ONE Pure Coffee with POWDER MODULE

High Volume Super Automatic Espresso Machine



PLEASE NOTE: Power can be installed under or above counter. Please allow 3-4" of space for the plug, especially when placing power above the counter and behind the machine.

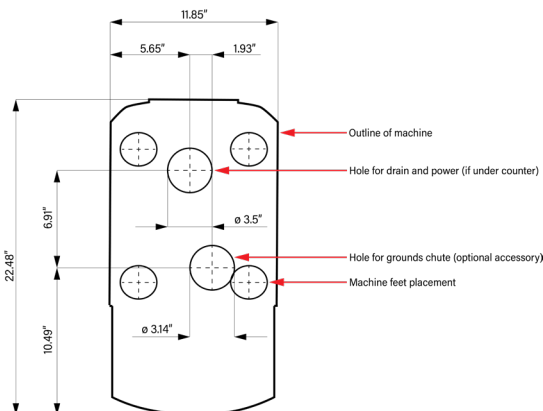
COUNTER REQUIREMENTS:

| Width | Depth | Height | Weight |
|------------------------------------|-------|--------|---------|
| ESPRESSO MACHINE | | | |
| 12" | 23" | 31" | 126 lbs |
| with optional POWDER MODULE | | | |
| 18" | 23" | 31" | 154 lbs |

SHIPPING DIMENSIONS AND WEIGHT:

| Length | Width | Height | Weight |
|------------------------------------|-------|--------|---------|
| ESPRESSO MACHINE | | | |
| 36" | 36" | 33" | 155 lbs |
| with optional POWDER MODULE | | | |
| 36" | 36" | 33" | 240 lbs |

DRILLING PLAN

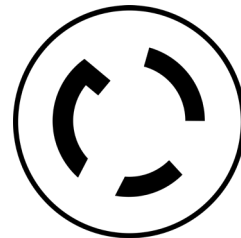


SERVICE CONNECTIONS:

Electrical Connections

ESPRESSO MACHINE

Voltage Range: 208-240 VAC Single Phase
 Watts: 6700 W
 Circuit Size: 30 amps
 Suggested Receptacle: NEMA L6-30R



optional POWDER MODULE

Voltage Range: 110-120 VAC Single Phase
 Watts: 200 W
 Circuit Size: 15 amps
 Suggested Receptacle: 5-15R GFI

PLEASE NOTE: Egro coffee machines do not use a neutral line. A dedicated ground wire is required for proper performance.

WATER CONNECTIONS:

Dedicated cold water access line with standard female 3/8" NPT fitting and manual shut-off valve within 4' of the machine required.

DRAIN REQUIREMENTS:

Open gravity drain rain with minimum 2" I.D. within 4' of the machine.

WATER QUALITY STATEMENT:

The fact that water is potable is no guarantee that it is suitable for coffee machines. Your water supply must be within these general guidelines:

SUPPLY PRESSURE: 30-70 psi
HARDNESS: 2-3 GPG (1 grain of hardness = 17.1 ppm)

Water entering the machine should have a water hardness level of 2-3 GPG at all times. If the water supply is not within this range, a dedicated water softener (if above 3 GPG) or mineral addition cartridge (if below 2 GPG) is required for the coffee machine to operate properly over time (see Rancilio Group North America Water Quality Statement for further details).